

Simonds Farmhouse Tivetshall St. Margaret Norwich Norfolk NR15 2EL England
 Tel (44) 01379 677505 Fax (44) 01379 674343
 Email info@eblpumps.co.uk

LOG SHEET FOR CONCRETE DISTRIBUTOR BOOM REG. No. FJ55 YBW

EXAMINATION CERTIFICATE

Operated by Messrs. **TECHNIC CONCRETE FLOORS LTD** Tel: **01942 679100**

Assembly manufacturer **PUTZMEISTER AG**

Model **BSF24-11H** Works No. **210102769** Year of Manufacture **2005**

Distributor boom manufacturer **PUTZMEISTER AG**

Model **M24** Works No. **170204385** Year of Manufacture **2005**

Max. working radius (horizontal from C turntable) **20** m. Max working height (ground) **24** m.

Max. permissible pipeline dia. **125** mm

End distributor hose DN **125** mm **4000** mm long

Permissible operational pressure in system **350** bar

Outrigger reach front **5.7** m rear **2.5** m

Max. corner support force **140** KN front

Max. Corner support force **95** KN rear

Vehicle manufacturer **MERCEDES BENZ** Reg. No. **FJ55 YBW**

Model **AXOR 1828** Chassis No. **WDB9505031L034176**

This certificate relates only to the condition of the boom at the time of the examination. It should not be regarded as evidence of the condition of the items examined at any other time; nor should it be taken as evidence of the general mechanical condition of the boom.

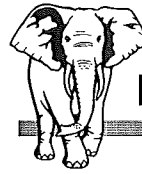
The details of the distributor boom comply with those examined

Date **14.1.2015** Place **TIVETSHALL**

Signature of examiner

EBL PUMPS
 SIMONDS FARMHOUSE
 TIVETSHALL ST. MARGARET
 NORWICH, NORFOLK
 TEL: (44) 01379 677505 F. 674343

THIS CERTIFICATE IS VALID FOR ONE YEAR FROM ABOVE DATE

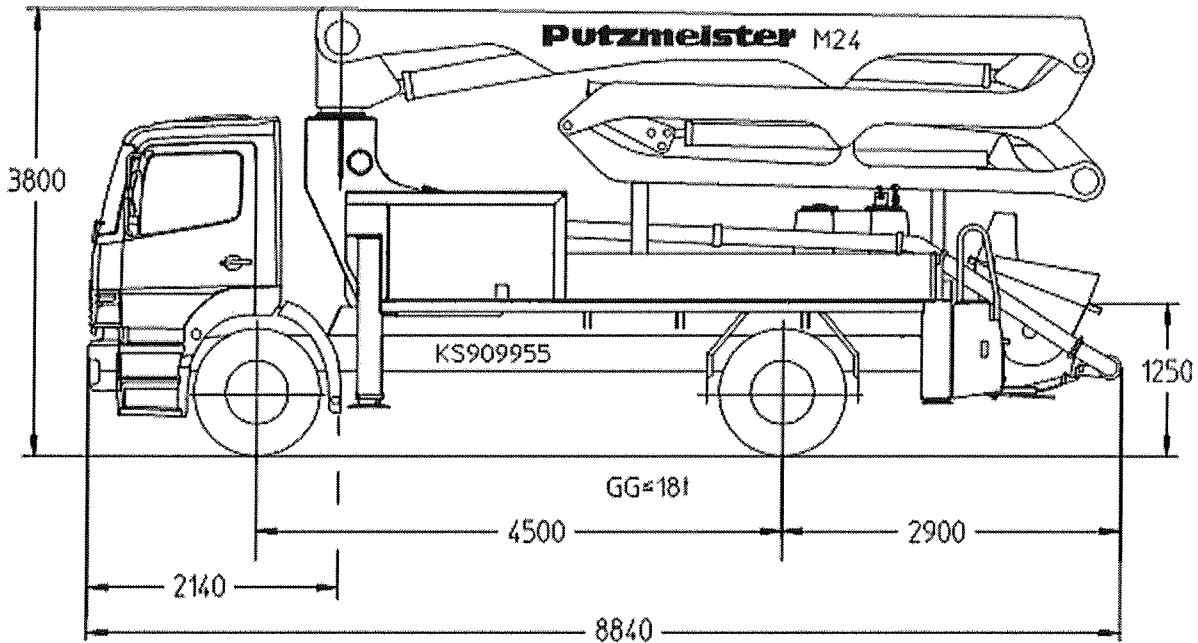
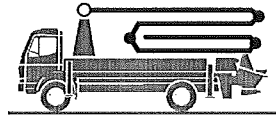


Putzmeister

Truck-mounted concrete pump BSF 24-4.09 H

Output up to 160 m³/h
 Delivery pressure up to 130 bar*

.11 H
 .11 H LS
 .16 H



Note: Standard version for .09 H and .11 H (LS). Dimensions and weights depend on truck, pump model and equipment.
 Dimensions in mm, MB-Axor 1828 as example.
 * For .14 H and .16 H a 3-axle truck is required, gross weight > 18 t.

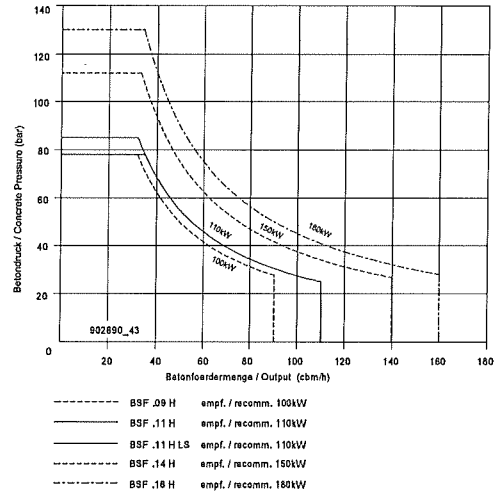
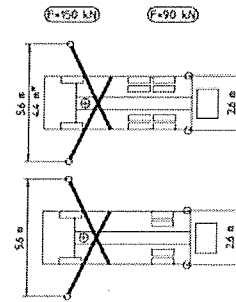
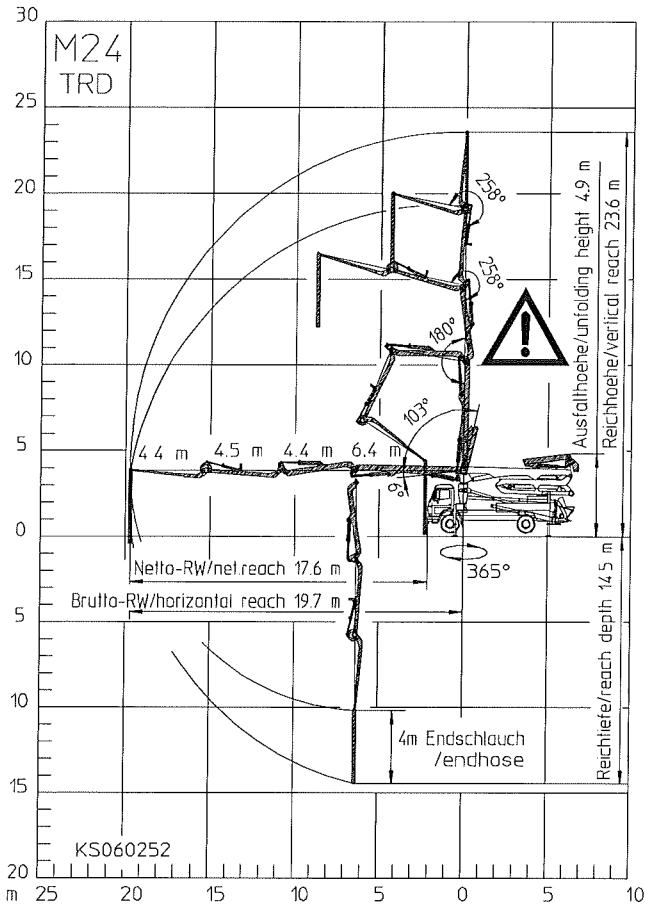
Technical data

Boom M 24-4			
Sections			4
Reach height	m		23.6
Horizontal reach	gross	m	19.7
	net	m	17.6
Reach depth max.	m		14.5
Unfolding height	m		4.9
End hose length	m		4
Folding system			ZR
Delivery line			DN 125

Pump		BSF	.09 H	.11 H	.11 H LS	.16 H
Rod side	Output	m ³ /h	-	-	-	160
	Delivery pressure	bar	-	-	-	85
	Strokes	1/min.	-	-	-	31
Piston side	Output	m ³ /h	90	110	110	108
	Delivery pressure	bar	78	78	85	130
	Strokes	1/min.	26	32	27	21
	Delivery cylinder	Ø mm	230	230	250	230
	Stroke	mm	1400	1400	1400	2100

*) Delivery line boom max. 85 bar.
 All data maximum theoretical.

Reach information diagram, Support, Performance diagram



All data max. theor.



Range in which you must not work with the end hose.

Serial delivery scope

Agitator and water pump radio remote / on site controlled
Boom pedestal TRD
Boom rear light 24 V
Cardan shaft maintenance free
Central lubrication strip hopper
Chassis horn via remote control on hopper
Concrete hopper RS 900 with agitator
Connections for hydraulic emergency supply
C-pipe connection for filling water tank
Delivery cylinder chrome-plated
Delivery line (1-layer) PM 40, arm assembly
Delivery piston "compact" (9 H, 11 H, 14 H, 16 H), „single“ (11 H LS)
Diagnose interface
End hose 4,0 m DN 125 5,5"
Ergonic Graphic Display (EGD) with machine fault management

Ergonic Pump System (EPS) incl. Ergonic Output Control (EOC)
Flushing water pump 160 l/min 25 bar
Hand working search light lighting hopper, detachable
Hydraulic hose for replacement in hose pack
Operating manuals 2 x cert. (1 x paper, 1 x CD-ROM) spare part list
Painting: pump MB 1227 chrome yellow
Painting: arm assembly RAL 3020 signalred
Platform non-skid
Pump on/off dependent on speed
Radio remote control proportional with display
Remote control with 25 m cable, without display
Rubber collar on hopper
Side panel left foldable
Side panel right foldable
Single piston

Speacle wear plate DURO 22
Splash guard fixed
Spray hose 10 m incl. bracket
S-transfer tube switchover fast/slow
Support plates (4 x) in magazine (2 x) open
Tool set incl. standard equipment
Towing eye
Water supply, hopper (1/2")
Water tank 880 / 610 l, depends on chassis

See quotation for exact serial delivery scope. Comprehensive range of options available on request.